



Date: _____ Type: _____

Firm Name: _____

Project: _____

eW Cove MX Powercore

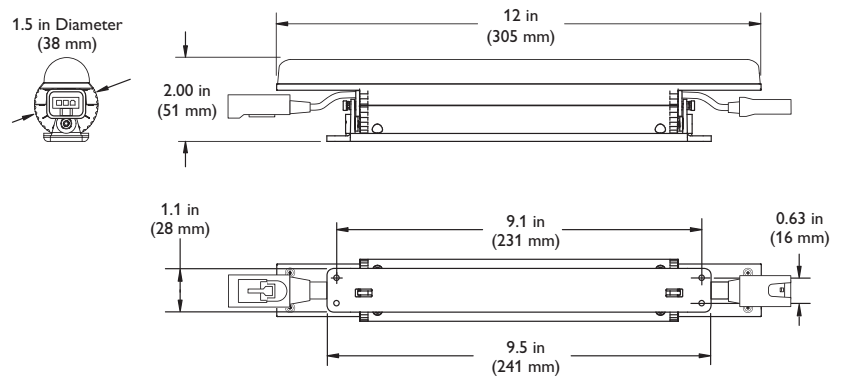
2200 K / Very Wide Beam Angle (170° x 115°)

Maximum output linear LED fixture for cove and accent lighting

Create a cozy, inviting, and intimate atmosphere with eW Cove MX Powercore 2200 K. Designed for cove and accent lighting in hospitality, retail, and high-end residences, fixtures produce a very warm white light, comparable to the golden light produced by halogen and xenon sources dimmed to 50%. Unlike dimmed incandescent sources, however, eW Cove MX Powercore 2200 K affords a high efficacy of 35.7 lm / W, generous light output of 425 lumens per foot, and light quality of 79 CRI, and offers ROI comparable to incandescent sources in similar applications.

- Superior color consistency — Philips patented remote phosphor technology ensures a white point directly on the black body curve, avoiding the “orange-y” appearance of amber LED sources, and with variation of less than three MacAdam ellipses across fixtures and manufacturing runs.
- Integrates patented Powercore technology — Powercore rapidly, efficiently, and accurately controls power output to fixtures directly from line voltage, eliminating the need for an external power supply. Contractor-friendly installation dramatically simplifies installation and lowers total system cost.
- Support for multiple voltages — Accepts power input of 100 – 277 VAC, allowing consistent installation in any location around the world.
- Smooth dimming capability — Patented DIMand technology offers smooth dimming capability with selected commercially available reverse-phase ELV-type dimmers. Fixtures can be smoothly dimmed down to 10% without the color shifting of incandescent sources.
- Simple installation — Powercore delivers line voltage directly to the fixtures, simplifying installation and allowing product runs of 49 fixtures at 100 VAC to 136 fixtures at 277 VAC. Easy-to-install 4 ft (1.2 m) mounting tracks allow quick project setup in linear applications.
- Easy mounting and positioning — With end-to-end locking power connectors that can make turns of up to 180°, fixtures are easy to position in even the most challenging mounting circumstances. Fixtures rotate in 10° increments through a full 180° for precise aiming and color mixing. Optional mounting tracks for vertical and overhead positioning. 1 ft (305 mm) and 5 ft (1.5 m) jumper cables for extra space between fixtures.

For detailed product information, please refer to the eW Cove MX Powercore Product Guide at www.colorkinetics.com/ls/essentialwhite/ewcovemxpc/



PHILIPS

Specifications

Due to continuous improvements and innovations, specifications may change without notice.

Item	Specification	Details
Output	Color Temperature	2200 K*
	Beam Angle	170° x 115°
	Lumens†	425
	Efficacy (lm / W)	35.7
	CRI	79
	Lumen Maintenance‡	50,000 hours L70 @ 25° C 37,000 hours L70 @ 50° C 90,000 hours L50 @ 25° C 80,000 hours L50 @ 50° C
Electrical	Input Voltage	100 – 277 VAC, auto-ranging, 50 / 60 Hz
	Power Consumption	12.5 W maximum at full output, steady state
	Power Factor	.99 @ 120 VAC
Control	Dimming	Compatible with selected commercially available reverse-phase ELV-type dimmers§
Physical	Dimensions (Height x Width x Depth)	2 x 12 x 1.5 in (51 x 305 x 38 mm)
	Weight	0.89 lbs (404 g)
	Housing	Die-cast aluminium, white powder-coated finish
	Lens	Polycarbonate / remote phosphor mix
	Fixture Connections	Integral male / female connectors
	Temperature Ranges	-4° – 122° F (-20° – 50° C) Operating -4° – 122° F (-20° – 50° C) Startup -40° – 176° F (-40° – 80° C) Storage
	Humidity	0 – 95%, non-condensing
Certification and Safety	Certification	UL / cUL, FCC, CE, CCC
	Environment	Dry Location, IP20

* Color temperatures conform to nominal CCTs as defined in ANSI Chromaticity Standard C78.377A.



† Lumen measurement complies with IES LM-79-08 testing procedures.

‡ L70 = 70% lumen maintenance (when light output drops below 70% of initial output).

L50 = 50% lumen maintenance (when light output drops below 50% of initial output). Ambient luminaire temperatures specified. Lumen maintenance calculations are based on lifetime prediction graphs supplied by LED source manufacturers. Calculations for white-light LED fixtures are based on measurements that comply with IES LM-80-08 testing procedures. Refer to www.philipscolorkinetics.com/support/appnotes/lm-80-08.pdf for more information.

§ Refer to www.colorkinetics.com/support/appnotes/ for specific details.

|| These figures, provided as a guideline, are accurate for this configuration only. Changing the configuration can affect the fixture run lengths.

DIMAND™ | **OPTIBIN™** | **POWERCORE™**
CK TECHNOLOGY | CK TECHNOLOGY | CK TECHNOLOGY

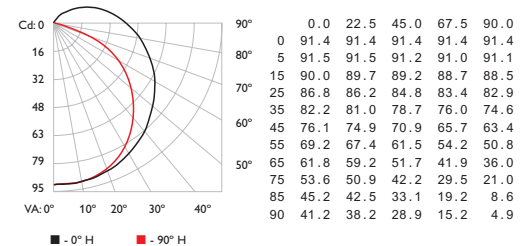


Philips Color Kinetics
3 Burlington Woods Drive
Burlington, Massachusetts 01803 USA
Tel 888.385.5742
Tel 617.423.9999
Fax 617.423.9998
www.philipscolorkinetics.com

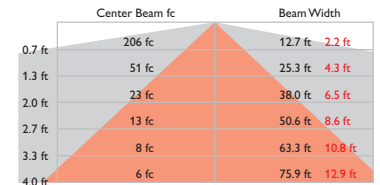
Photometrics

2200 K / Very Wide Beam Angle (170° x 115°)

Polar Candela Distribution



Illuminance at Distance



9.5 ft (2.9 m) 1 ft maximum distance
Vert. Spread: 168.0°
Horiz. Spread: 116.6°

Lumens 425
Efficacy 35.7 lm / W

For lux multiply fc by 10.7

Fixture

Color Temperature	Beam Angle	Item Number	Philips 12NC
2200 K	Very wide (170° x 115°)	523-000050-16	910503701725

Accessories

Item	Type	Item Number	Philips 12NC
Leader Cable with terminator and strain relief	UL / cUL	10 ft (3 m)	108-000047-00 910503700972
	CE / CCC	10 ft (3 m)	108-000047-01 910503700973
Wiring Compartment with terminator	UL / cUL	120-000077-01	910503700994
Terminators, Quantity 10		120-000099-00	910503701120
Jumper Cable	UL / cUL	1 ft (305 mm)	108-000048-00 910503700974
		5 ft (1.5 m)	108-000048-01 910503700975
	CE / CCC	1 ft (305 mm)	108-000048-02 910503700976
		5 ft (1.5 m)	108-000048-03 910503700977
Mounting Track, White	1 @ 4 ft (1219 mm)	120-000124-00	910503701787

Use Item Number when ordering in North America.

Copyright © 2011 Philips Solid-State Lighting Solutions, Inc. All rights reserved. Chromacore, Chromatic, CK, the CK logo, Color Kinetics, the Color Kinetics logo, ColorBlast, ColorBlaze, ColorBurst, ColorGaze, ColorPlay, ColorReach, iVW Reach, eW Reach, eW Fuse, DIMand, EssentialWhite, eW, iColor, iColor Cove, IntelliWhite, iW, iPlayer, Optibin, and Powercore are either registered trademarks or trademarks of Philips Solid-State Lighting Solutions, Inc. in the United States and / or other countries. All other brand or product names are trademarks or registered trademarks of their respective owners. Due to continuous improvements and innovations, specifications may change without notice.

DAS-000069-09 R00 09-11